

丸

形

Round Type

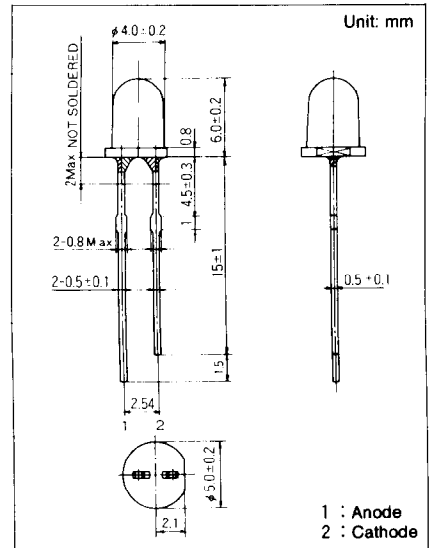
φ 4.0mm Series

Type No. Lighting Color
 LN39GPP..... Green
 LN39GCPP..... Green
 LN39CPP..... Green

絶対最大定格 Absolute Maximum Ratings (Ta=25 °C)

Lighting Color	P _D (mW)	I _F (mA)	I _{FP} (mA)*	V _R (V)	T _{opr} (°C)	T _{stg} (°C)
Green	90	30	150	4	-25~+85	-30~+100

* I_{FP}の条件は, duty 10%, Pulse width 1 msec. The condition of I_{FP} is duty 10%, Pulse width 1 msec



電気的光学的特性 Electro-Optical Characteristics (Ta=25 °C)

Type No.	Lighting Color	Lens Color	I ₀			V _F		λ _P	Δλ	I _F	I _R	
			Typ.	Min.	I _F	Typ.	Max.	Typ.	Typ.		Max.	V _R
LN39GPP	Green	Green Diffused	5.0	2.0	20	2.2	2.8	565	30	20	10	4
LN39GCPP	Green	Green Clear	15.0	6.0	20	2.2	2.8	565	30	20	10	4
LN39CPP	Green	Clear	15.0	6.0	20	2.2	2.8	565	30	20	10	4
Unit	—	—	mcd	mcd	mA	V	V	nm	nm	mA	μA	V

